

# POWERSCREEN® SCREENING RANGE



# KNOWLEDGE IS POWER

## POWERSCREEN® SCREENING PRODUCT RANGE

Powerscreen means different things to different people. For some, it means robust and reliable crushing and screening equipment, designed, built and supported by passionate experts.

For others Powerscreen signifies a vast legacy of experience and knowledge used to develop a safer, more efficient working environment for all.



One of Powerscreen's most important strengths is our Global Dealer Network. 110 Companies working tirelessly worldwide to support our customers.

From your first machine purchase through to technical support, servicing and provision of spare parts, Powerscreen and our Global Dealer Network are on hand to help.

**We want to be part of your legacy.  
We want you to be a part of ours.**

Find your local Powerscreen dealer at  
[www.powerscreen.com](http://www.powerscreen.com)



# WARRIOR 600

The Powerscreen® Warrior 600 is the most compact of Powerscreen's heavy duty scalping screen Warrior range. One of the key features of the Warrior 600 is its size - the compact transport envelope allows the unit to be transported in a shipping container, and is small and light enough to move between sites with minimal cost. It also means that it is highly mobile on site, even in built-up areas.

The machine is a multipurpose heavy duty incline 2 deck screen, capable of stockpiling, scalping before and after crushing units, or as a standalone unit. Its highly aggressive screen can accept bofor bars, finger screens, woven mesh and punch plates along with other application specific media types.

User benefits include a rapid set-up time and ease of operation aided by hydraulic folding side conveyors, rigid feed hopper sides and two speed tracks.

### Features & Benefits

- Ultra-low fuel consumption with optimised hydraulics
- Smart design minimises weight but retains strength and robustness
- Rapid conversion from 3 way split to 2 way split - fully hydraulic
- High aggression screenbox with ability to adjust stroke
- Robust, heavy duty, fixed angle 2 bearing, 2 deck screen
- Open chassis design with unrivalled access below screen to aid mesh changes
- Variable speed hopper featuring heavy duty rollers & rigid hopper - Hydraulic folding conveyors with excellent stockpiling capacity
- Quick and simple 3 stage set-up
- 37kW engine option complies with the latest EU emissions legislation, without the requirement for engine exhaust after-treatment system or urea additions

### Options

- Radio controlled tracking
- Quick release screen wedge tensioning
- Auto lubrication system
- Dust suppression
- Screen blanket
- Plain/chevron belt conveyors
- Wide range of screen media



WARRIOR 600	TRACK
Weight (Est)	12,000kg (26,455lbs)
Transport width	2.25m (7'5")
Transport length	10.98 (36')
Transport height	2.55 (8' 4")
Working width	10.42m (34' 2")
Working length	10.54m (34' 7")
Working height	3.18m (10' 5")

\*Output potential depends on application  
Engines are available that are certified to US EPA and EU off road diesel emission standards. Talk to your dealer about possible certification options (i.e. Tier 3/Stage 3A, Tier 4/Stage 3B, Tier 4/Stage 4).

### Output Potential

Up to 280tph (308 US tph)\*

### Feeder Conveyor

Width: 1000mm (39")  
Heavy duty belt feeder

### Screenbox

2 Bearing, 2 deck screenbox  
Size: 2.34m x 1.17m (8' x 4')  
High aggression

### Side Conveyor (Midsize)

Width: 650mm (26")  
Discharge height: 2.8m (9'2")

### Hopper

Capacity: 3m³ (3.9 yds³)

### Power Unit

Tier 3:  
Deutz 2011 L041 36.4kW (48.8hp)  
Tier 4F/Stage 3B (US only):  
Deutz TD2.9 L4 42kW (56hp)  
Fuel tank capacity: 145 L (38 US Gal)

### Screen Media

- Mesh
- Punch plate
- Bofor
- Finger
- Flex mat
- Speed harp

### Side Conveyor (Finesize)

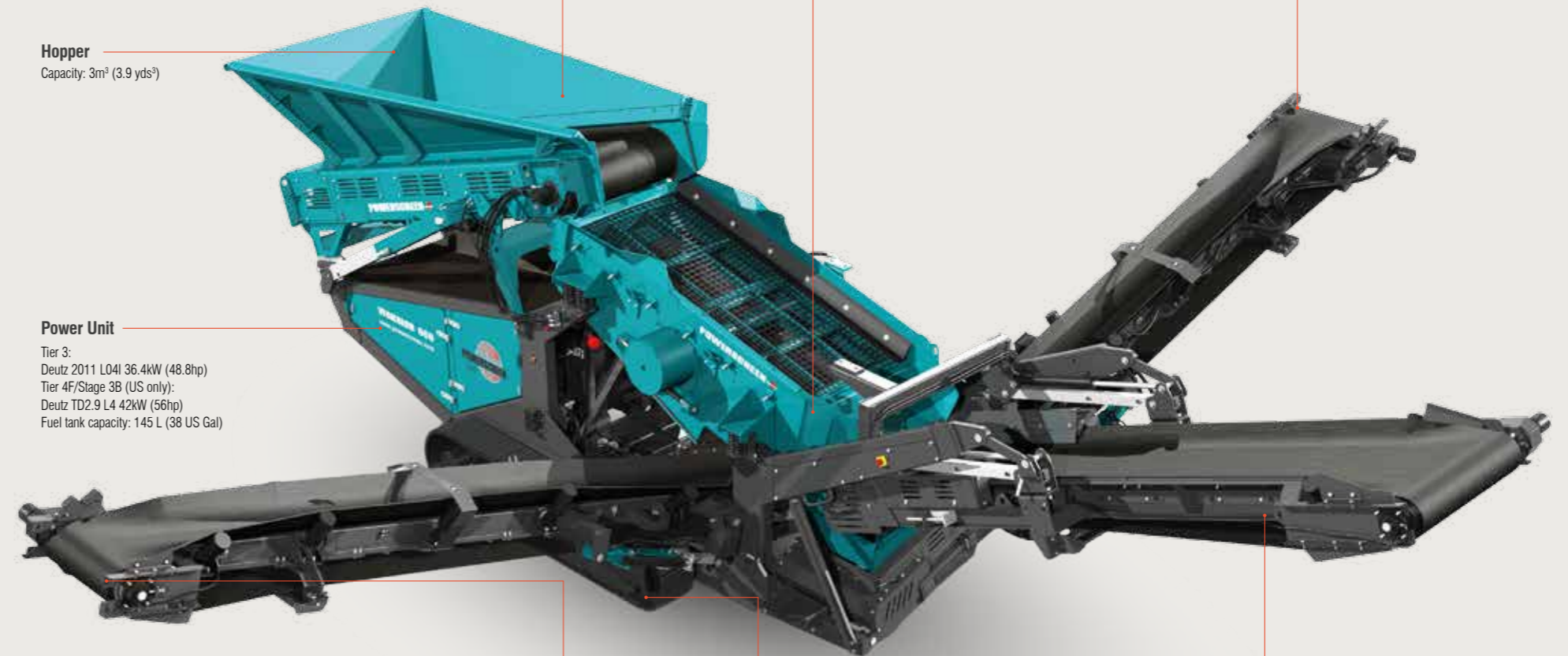
Width: 650mm (26")  
Discharge height: 2.9m (9'6")

### Tracks

Width: 300mm (11.8")

### Tail Conveyor (Oversize)

Width: 1000mm (39")  
Discharge height: 2.7m (8'10")



# WARRIOR 800

The Powerscreen® Warrior 800 has been specifically designed for those for whom versatility and transportability are of key importance. The machine is a multi-purpose heavy duty incline two deck screen, capable of stockpiling, 3 way splitting or scalping before and after crushing units. Its highly aggressive screen can accept bofor bars, finger screens, woven mesh and punch plates.

User benefits include a rapid set-up time and ease of operation aided by hydraulic folding tail and side conveyors, rigid feed hopper sides and two speed tracks. Simplified slide out tail conveyor facilities aid media access and screen media changes.

**Features & Benefits**

- Variable speed hopper featuring impact bars, rigid hopper and rollers
- Folding rear hopper wall for direct feeding
- Robust, heavy duty, fixed angle 2 bearing, 2 deck screen
- Hydraulic folding and extending tail conveyor with slide out facility allowing maximum bottom deck access.
- Hydraulic folding conveyors with excellent stockpiling capacity

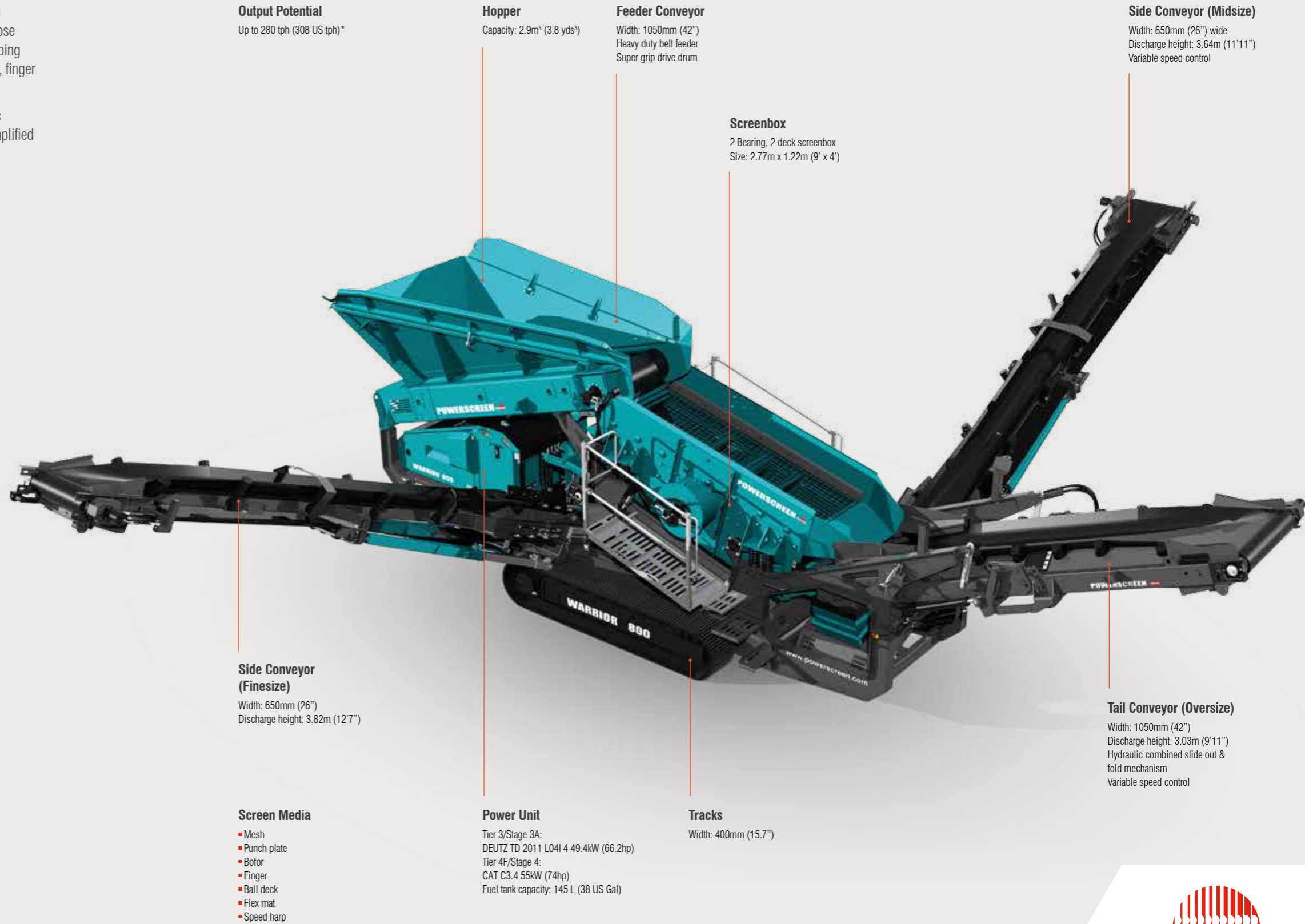
**Options**

- Radio controlled tracking
- Screen walkway
- Quick release screen wedge tensioning
- Auto lubrication system
- Dust suppression
- Screen blanket
- Plain/chevron belt conveyors
- Hopper extensions
- Wide range of screen media



WARRIOR 800	TRACK
Weight (Est)	16,700kg (36,817lbs)
Transport width	2.5m (8'2")
Transport length	9.22m (30'3")
Transport height	3.09m (10'1")
Working width	14.09m (46'3")
Working length	11.11m (36'5")
Working height	3.92m (12'10")

\*Output potential depends on application  
Engines are available that are certified to US EPA and EU off road diesel emission standards. Talk to your dealer about possible certification options (i.e. Tier 3/Stage 3A, Tier 4/Stage 3B, Tier 4/Stage 4).



# WARRIOR 1200

The Powerscreen Warrior 1200 is the most compact 12ft scalping screen in today's market. Despite this footprint, with a highly aggressive screen at its heart, the Warrior 1200 is not overshadowed by its competition. Building on the success of the Warrior 600, the Warrior 1200 boasts excellent service access, high capacity and a low cost of ownership.

A multipurpose heavy duty incline two deck screen, the Warrior 1200 is capable of stockpiling, scalping before and after crushing units, or as a standalone unit. Its highly aggressive screen can accept bofor bars, finger screens, woven mesh and punch plates along with other application specific media types.

User benefits include a rapid set-up time and ease of operation aided by hydraulically folding conveyors, two speed tracks and a swift two way split conversion.

### Features & Benefits

- Ultra-low fuel consumption with optimised hydraulics
- Smart design minimises weight but retains strength and robustness
- Rapid conversion from 3 way split to 2 way split - fully hydraulic
- High aggression screenbox with adjustable stroke and angle.
- Robust, heavy duty, 2 bearing double deck screen.
- Open chassis design with unrivalled access below screen to aid mesh changes
- Variable speed feeder featuring heavy duty rollers, a rigid hopper structure and folding hopper extensions
- Quick and simple three stage set-up

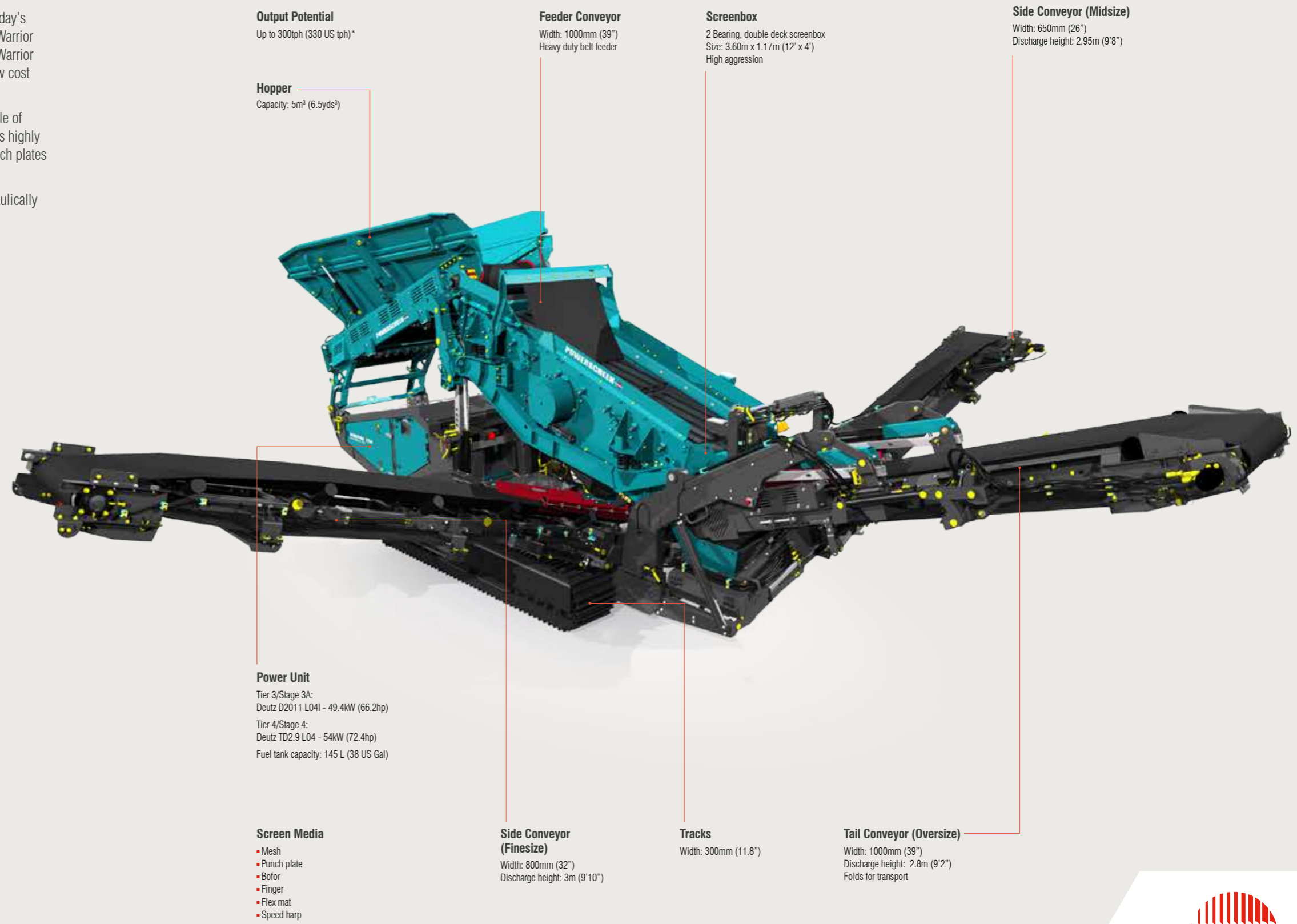
### Options

- Radio controlled tracking
- Quick release screen wedge tensioning
- Auto lubrication system
- Screen blanket
- Plain/chevron belt conveyors
- Wide range of screen media
- Hydraulic folding tail conveyor
- Hydraulic folding hopper extensions



WARRIOR 1200	TRACK
Weight (Est)	16,800kg (37,038lbs)
Transport width	2.25m (7'5")
Transport length	10.96m (36')
Transport height	2.51m (8'3")
Working width	10.36m (34')
Working length	11.62m (38'2")
Working height	4.02m (13'2")

\*Output potential depends on application  
Engines are available that are certified to US EPA and EU off road diesel emission standards. Talk to your dealer about possible certification options (i.e. Tier 3/Stage 3A, Tier 4/Stage 3B, Tier 4/Stage 4).



**Output Potential**  
Up to 300tph (330 US tph)\*

**Hopper**  
Capacity: 5m<sup>3</sup> (6.5yds<sup>3</sup>)

**Feeder Conveyor**  
Width: 1000mm (39")  
Heavy duty belt feeder

**Screenbox**  
2 Bearing, double deck screenbox  
Size: 3.60m x 1.17m (12' x 4')  
High aggression

**Side Conveyor (Midsize)**  
Width: 650mm (26")  
Discharge height: 2.95m (9'8")

**Power Unit**  
Tier 3/Stage 3A:  
Deutz D2011 L04I - 49.4kW (66.2hp)  
Tier 4/Stage 4:  
Deutz TD2.9 L04 - 54kW (72.4hp)  
Fuel tank capacity: 145 L (38 US Gal)

**Screen Media**

- Mesh
- Punch plate
- Bofor
- Finger
- Flex mat
- Speed harp

**Side Conveyor (Finesize)**  
Width: 800mm (32")  
Discharge height: 3m (9'10")

**Tracks**  
Width: 300mm (11.8")

**Tail Conveyor (Oversize)**  
Width: 1000mm (39")  
Discharge height: 2.8m (9'2")  
Folds for transport



# WARRIOR 1400X/1400XE

The Powerscreen® Warrior 1400X is a flexible screening machine, aimed at small to medium sized operators who require a high performing, heavy duty, versatile machine that remains easy to transport.

It is designed with economy in mind, with reduced fuel consumption being achieved through a lower engine running speed of 1800rpm and enhanced hydraulics. A variety of media solutions mean that the Warrior 1400X is extremely efficient in scalping, screening and recycling applications and it can process mixed demolition waste including greenwaste, soil, concrete, wood and asphalt.

The Warrior 1400XE has been designed to meet the needs of customers for whom electricity is a preferred power source and opens up the possibility to run the machine indoors. It can be powered by electricity generated by other Powerscreen models. The main benefit of the Warrior 1400XE is the variety of power options available. It can be self-powered with its own 72kVA generator, or be connected to a mains electricity supply for even further reductions in cost of ownership.

**Features & Benefits**

- Heavy duty, incline belt feeder with rigid one piece hopper
- Heavy duty, adjustable angle, grease lubricated 2 bearing, 2 deck screenbox
- Jack up screen facility to aid mesh changes
- Screen walkway and access steps
- Hydraulic folding conveyors with excellent stockpiling capacity
- Improved stockpiling capacity
- Rapid set-up and shutdown time
- Two speed tracks
- Collection conveyor raise feature
- Reversible side conveyors (Warrior 1400X only)
- Self-powered by the on-board Genset or by external mains supply (Warrior 1400XE)

**Options**

- Radio controlled tracking
- Dual Power (additional electric hydraulic drive)
- Quick release screen wedge tensioning
- Auto lubrication system
- Dust suppression
- Wide range of screen media
- 2 or 3 way split configuration
- High capacity incline apron feeder
- 300mm (12") Chassis riser
- Telescopic side conveyors (Warrior 1400X only)
- Hopper extensions
- Screen blanket



WARRIOR	WARRIOR 1400X/1400XE (2 WAY SPLIT)	WARRIOR 1400X/1400XE (3 WAY SPLIT)
Weight (Est)	27,200kg (59,965lbs)	30,000kg (66,138lbs)
Transport width	2.75m (9'0")	2.75m (9'0")
Transport length	13.62m (44'8")	14.17m (46'6")
Transport height	3.20m (10'6")	3.20m (10'6")
Working width	8.13m (26'8")	12.59m (41'3")
Working length	13.96m (45'10")	14.20m (46'7")
Working height	4.40m (14' 5")	4.40m (14' 5")

\*Output potential depends on application  
Engines are available that are certified to US EPA and EU off road diesel emission standards. Talk to your dealer about possible certification options (i.e. Tier 3/Stage 3A, Tier 4/Stage 3B, Tier 4F/Stage 4).

**Output Potential**

Up to 500 tph (551 US tph)\*

**Hopper**

Capacity: 7m³ (9.2yds³)  
Collapsible rear wall for direct feeding

**Feeder Conveyor**

Width: 1300mm (51")  
Heavy duty belt feeder  
Super grip drive drum  
Variable speed control

**Side Conveyor (Midsize)**

Width: 900mm (35")  
Discharge height: 3.6m (11'10")  
Angle adjustable

**Side Conveyor (Finesize)**

Width: 900mm (35")  
Discharge height: 3.72m (12'2")

**Tracks**

Width: 400mm (15.7")  
2 Speed tracking

**Power Unit**

**Warrior 1400X**  
Tier 3/Stage 3A:  
CAT C4.4 ATAAC 90kW (121hp)  
Tier 4F/Stage 4:  
CAT C4.4 82kW (110hp)  
Fuel tank capacity: 336 L (88 US Gal)

**Warrior 1400XE**  
Tier 3/Stage 3A:  
CAT C4.4 ATAAC 85kW (113hp)  
Tier 4 Final/Stage 4:  
CAT C4.4 70kW (93hp)  
Fuel tank capacity: 336 L (88 US Gal)

**Screen Media**

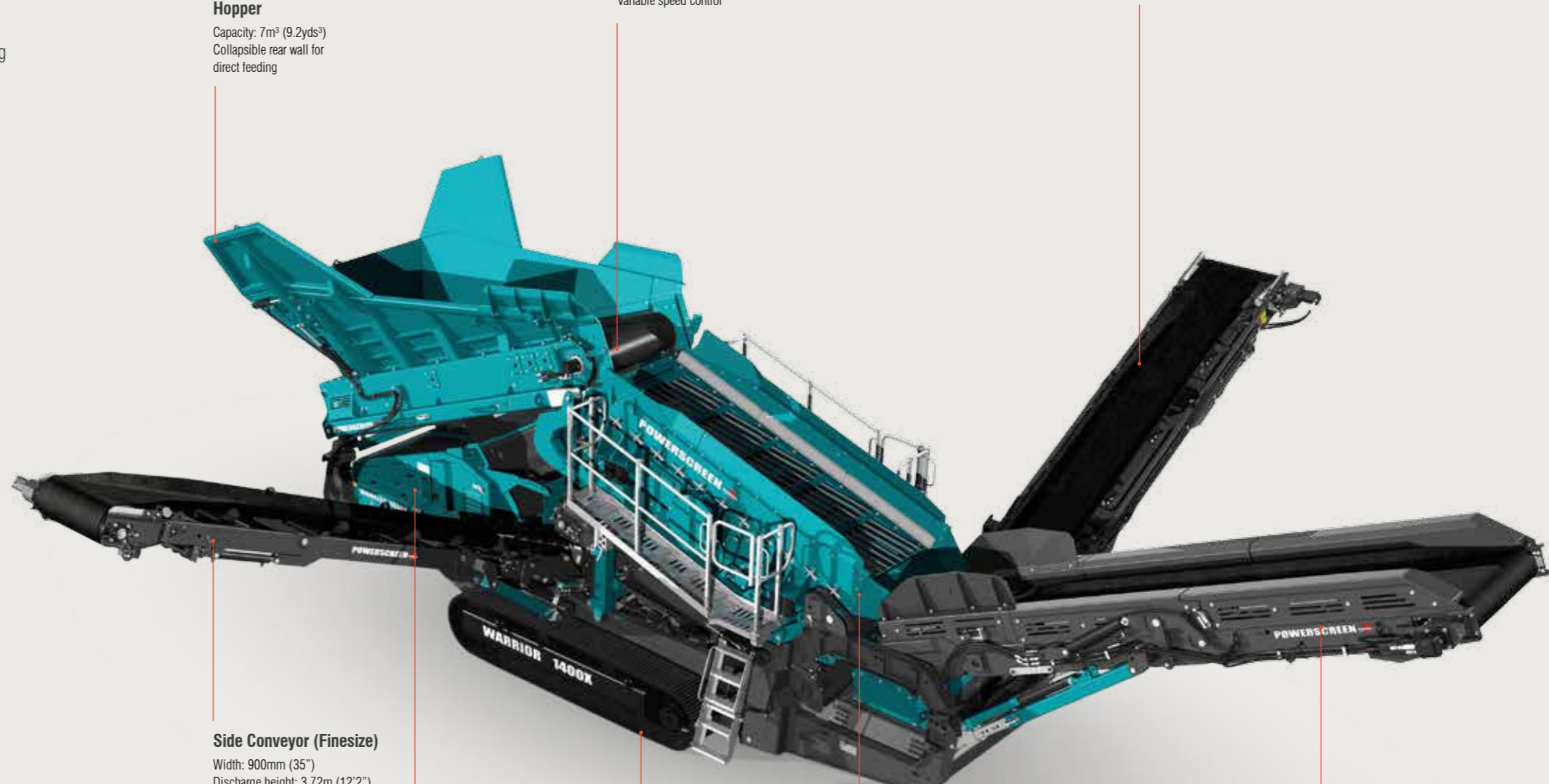
- Mesh
- Punch plate
- Bofor
- Finger
- Ball deck
- Flex mat
- Speed harp

**Screenbox**

2 Bearing, 2 deck, high amplitude screenbox  
Size: 3.6m x 1.25m (12' x 4.5')  
Adjustable screen angle 13° - 19°

**Tail Conveyor (Oversize)**

Width: 1200mm (48")  
Discharge height: 4m (13'1") (3 Way Split)  
Discharge height: 3.4m (11'3") (2 Way Split)



# WARRIOR 1800

Designed for medium to large operators, where high capacity and throughput are paramount, the Powerscreen® Warrior 1800 is a tough, heavy duty machine built for screening, 2 or 3 way splitting and stockpiling in quarrying, recycling, construction and demolition aggregates and top soil applications.

With low ground pressure crawler tracks the Warrior 1800 is highly mobile. The versatile screen accepts a wide range of media options including bofor bars, finger screens, woven mesh and punch plates.

**Features & Benefits**

- Heavy duty, incline belt feeder with hydraulic hopper sides
- Heavy duty, adjustable angle, grease lubricated 2 bearing, 2 deck screenbox
- Jack up screen facility to aid mesh changes
- Hydraulic "slide out facility" on oversize tail conveyor to ease mesh changes
- Screen walkway and access steps
- Hydraulic folding conveyors with excellent stockpiling capacity
- Engine protection shutdown system

**Options**

- Radio controlled tracking
- Dual Power (additional electric hydraulic drive)
- Quick release screen wedge tensioning
- Auto lubrication system
- Dust suppression
- Wide range of screen media
- 2 or 3 way split configuration
- High capacity incline apron feeder
- Telescopic side conveyor option



WARRIOR 1800 (INCLINE BELT FEEDER)	2 WAY SPLIT	3 WAY SPLIT
Weight (Est)	27,800kg (61,300lbs)	29,000kg (63,934lbs)
Transport width	2.96m (9' 8")	2.96m (9' 8")
Transport length	14.99m (49' 2")	15.38m (50' 6")
Transport height	3.39m (11' 2")	3.39m (11' 2")
Working width	7.74m (25' 5")	12.6m (41' 4")
Working length	14.03m (46')	14.3m (47' 2")
Working height	4.55m (14' 11")	4.57m (14' 11")

\*Output potential depends on application  
Engines are available that are certified to US EPA and EU off road diesel emission standards. Talk to your dealer about possible certification options (i.e. Tier 3/Stage 3A, Tier 4/Stage 3B, Tier 4/Stage 4).

**Output Potential**

Up to 600 tph (661 US tph)\*

**Hopper**

Capacity: 6.8m<sup>3</sup> (8.9yds<sup>3</sup>)  
Hydraulic folding wing plates  
Collapsible rear wall for direct feeding

**Feeder Conveyor**

Width: 1300mm (51")  
Heavy duty belt feeder  
Super grip drive drum  
Variable speed control

**Side Conveyor (Finesize)**

Width: 900mm (35")  
Discharge height: 3.7m (12'2")  
Variable speed control  
Angle adjustable 14° - 25°

**Tail Conveyor (Oversize)**

Width: 1400mm (55")  
Discharge height: 3.73m (12'3")  
Heavy duty impact bars  
Variable speed control  
Angle adjustable 10° - 24°

**Power Unit**

Tier 3/Stage 3A:  
CAT C4.4 ATAAC 83kW (111hp)  
Tier 4F/Stage 4:  
CAT C4.4 4 ATAAC 82kW (110hp)  
Fuel tank capacity:  
336 L (88 US Gal)

**Tracks**

Width: 500mm (19.7")  
2 Speed tracking

**Screen Media**

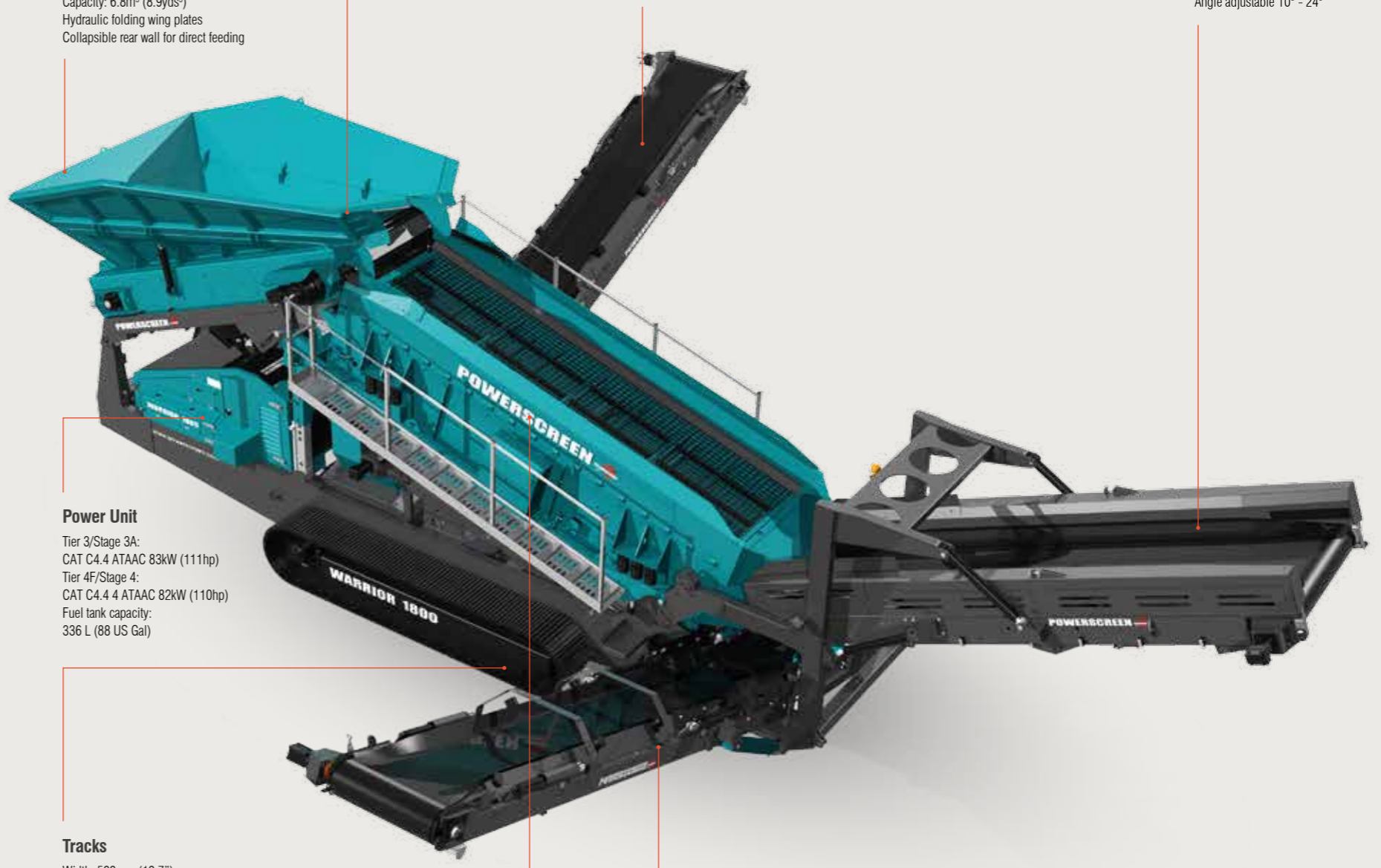
- Mesh
- Punch plate
- Bofor
- Finger
- Ball deck
- Flex mat
- Speed harp

**Screenbox**

2 Bearing, 2 deck, high amplitude screenbox  
Size: 4.88m x 1.5m (16' x 5')  
Adjustable screen angle 14° - 18°

**Side Conveyor (Midsized)**

Width: 900mm (35")  
Discharge height: 3.44m (11'3")  
Variable speed control  
Angle adjustable 14° - 25°



# WARRIOR 2100

The Warrior 2100 is engineered to include the proven Triple Shaft and Single Shaft technology which is unique to Powerscreen heavy duty mobile screens. The triple shaft design ensures that the 16' x 5' screenbox is highly efficient while maintaining exceptional throughput productivity. The extreme screening acceleration offers the Warrior 2100 improved capabilities over its class rivals, especially in sticky scalping applications.

The single shaft screen provides the Warrior 2100 with the balance to screen efficiently in less demanding applications when the power of a triple shaft drive or the precision of a Flip-Flow deck is not required. The single shaft screen provides effective screening capabilities with a more conventional approach. Supported on 2 x 130mm bearings the single shaft screen provides an impressive screening stroke and screening angles of up to 18 degrees.

It is designed with economy in mind, with reduced fuel consumption being achieved through a lower engine running speed of 1800rpm and enhanced hydraulics. A variety of media solutions mean that the Warrior 2100 is extremely efficient in scalping, screening and recycling applications and it can process mixed demolition waste including greenwaste, soil, concrete, wood and asphalt.

**Features & Benefits**

- Heavy duty, 2 deck screenbox featuring Triple Shaft technology with adjustable screen timing, amplitude and frequency
- Rigid one-piece hopper
- Low engine running speed to improve fuel consumption
- Heavy duty, incline belt feeder
- Jack up screen facility to aid mesh changes
- Screen walkway and access steps
- Hydraulic folding conveyors with excellent stockpiling capacity
- Rapid set-up and shutdown time
- Two speed tracks
- Reversible side conveyors
- Collection conveyor raise feature

**Options**

- Radio controlled tracking
- 200mm (8") Chassis riser
- Telescopic side conveyors
- Hydraulically folding hopper extensions
- High capacity incline apron feeder
- Quick release screen wedge tensioning
- Wide range of screen media
- Dust suppression
- Auto lubrication system
- Dual Power (additional electric hydraulic drive)
- 2 or 3 way split configuration
- Interchangeable Single Shaft screenbox

WARRIOR 2100	2 WAY SPLIT	3 WAY SPLIT
Weight (Est)	33,400kg (73,634lbs)	34,800kg (76,720lbs)
Transport width	3m (9'10")	3m (9'10")
Transport length	15.48m (50'9")	16.02m (52'7")
Transport height	3.4m (11'2")	3.4m (11'2")
Working width	8.58m (28'2")	13.6m (44'7")
Working length	15.77m (51'9")	16.3m (53'5")
Working height	4.38m (15'10")	4.5m (14'9")



\*Output potential depends on application  
Engines are available that are certified to US EPA and EU off road diesel emission standards. Talk to your dealer about possible certification options (i.e. Tier 3/Stage 3A, Tier 4/Stage 3B, Tier 4F/Stage 4).

**Output Potential**

Up to 700 tph (772 US tph)\*

**Hopper**

Capacity: 7m<sup>3</sup> (9.2yds<sup>3</sup>)  
Rigid one piece hopper  
Wear resistant steel  
Wing plates

**Feeder Conveyor**

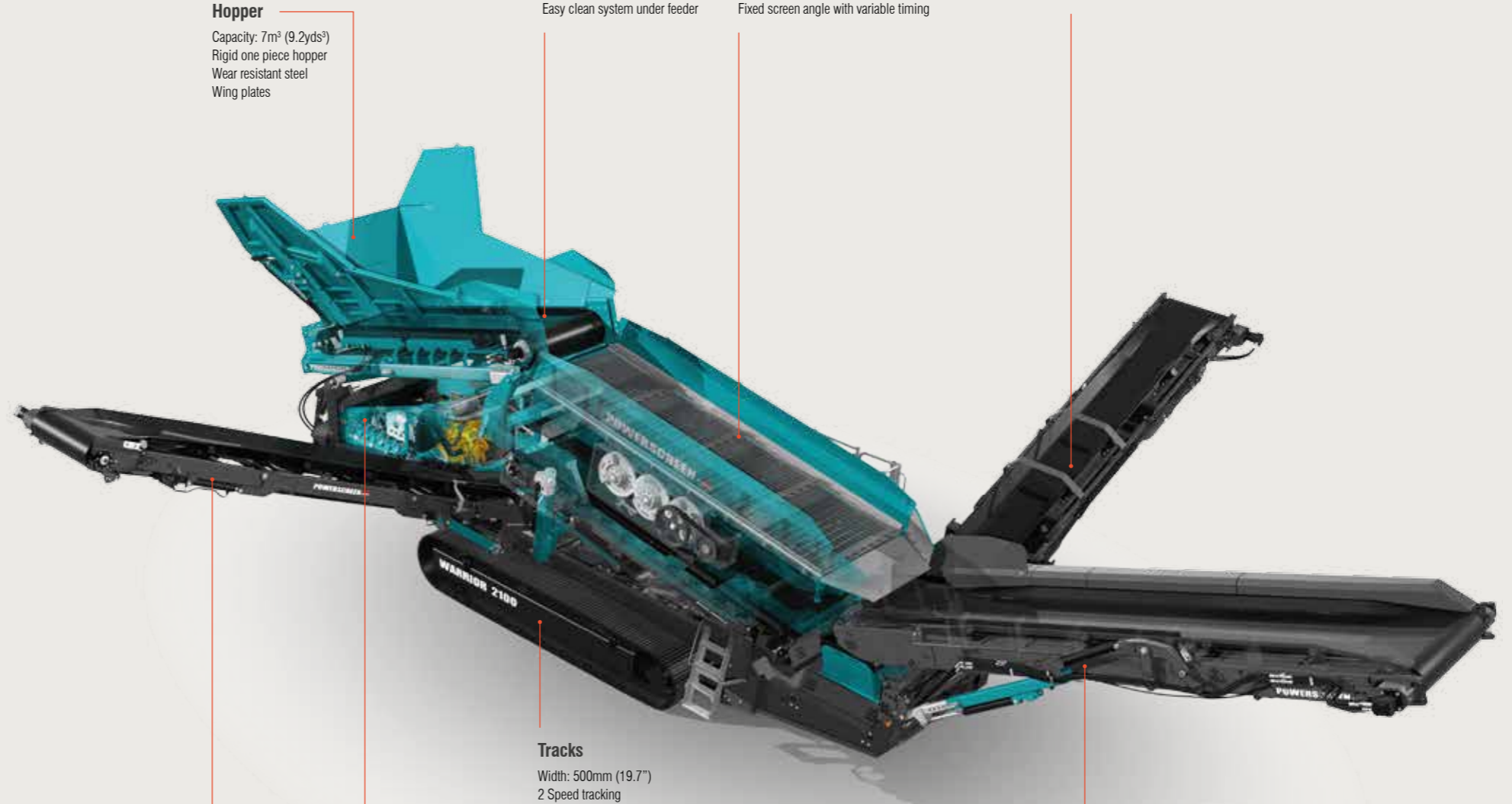
Width: 1300mm (51")  
Heavy duty belt feeder  
Super grip drive drum  
Variable speed control  
Easy clean system under feeder

**Screenbox**

2 Deck screenbox  
Size: 4.88m x 1.55m (16' x 5')  
Triple shaft technology gives extra high amplitude & high energy  
Fixed screen angle with variable timing

**Side Conveyor (Midsize)**

Width: 900mm (35")  
Discharge height: 3.67m (12')  
Variable speed control  
Angle adjustable



**Tracks**

Width: 500mm (19.7")  
2 Speed tracking

**Power Unit**

Tier 3/Stage 3A:  
CAT C4.4. ATAAC 90kW (121hp)  
Tier 4F/Stage 4:  
CAT C4.4 93kW (125hp)  
Fuel tank capacity: 336 L (88 US Gal)

**Side Conveyor (Finesize)**

Width: 900mm (35")  
Discharge height: 3.93m (12'11")  
Variable speed control  
Angle adjustable

**Screen Media**

- Top deck:
- Steel 3D Punch plate
  - Rubber 3D Punch plate
  - Rubber punchplate
  - Steel punchplate

- Bottom deck:
- Dynamic flip flow

**Tail Conveyor (Oversize)**

Width: 1400mm (55")  
Discharge height: 4.2m (13'9") (3 Way Split)  
Discharge height: 3.5m (11'7") (2 Way Split)  
Heavy duty impact bars  
Variable speed control  
Angle adjustable 0° - 24°



# WARRIOR 2100 SPALECK

The Warrior 2100 Spaleck screen is the ultimate in mobile screening and separation technology. At the heart of the product is the 2 deck high performance waste recycling screen featuring Flip-Flow-Screen technology. The unique stepped top deck design combined with state of the art Flip-Flow bottom deck puts this recycling screen into a class of its own for customers in many sectors of the waste recycling industry.

The Warrior 2100 Spaleck screens suit a wide range of shapes and sizes and can be deployed in a variety of applications including Quarry, Coal, Scrap, Commercial Waste, Compost/Mulch/Soil, Slag/Ash and Auto Fluff due to the options available.

**Features & Benefits**

- 3D top deck screen media
- Flip-Flow bottom deck with quick clamping for easy removal
- Heavy duty inclined hopper
- Low engine running speed to improve fuel consumption
- Heavy duty, incline belt feeder
- Jack up screen facility to aid mesh changes
- Screen walkway and access steps
- Hydraulic folding conveyors with excellent stockpiling capacity
- Rapid set-up and shutdown time
- Two speed tracks
- Reversible side conveyors
- Collection conveyor raise feature

**Options**

- Radio controlled tracking
- 200mm (8") Chassis riser
- Telescopic side conveyors
- Hydraulically folding hopper extensions
- High capacity incline apron feeder
- Quick release screen wedge tensioning
- Wide range of screen media
- Dust suppression
- Auto lubrication system
- Dual Power (additional electric hydraulic drive)
- 2 way split configuration



WARRIOR 2100 SPALECK	2 WAY SPLIT	3 WAY SPLIT
Weight (Est)	33,400kg (73,634lbs)	34,300kg (75,618lbs)
Transport width	3m (9'10")	3m (9'10")
Transport length	15.48m (50'9")	16.02m (52'7")
Transport height	3.4m (11'2")	3.4m (11'2")
Working width	8.58m (28'2")	13.6m (44'7")
Working length	15.77m (51'9")	16.3m (53'5")
Working height	4.83m (15'10")	4.5m (15'6")

\*Output potential depends on application  
Engines are available that are certified to US EPA and EU off road diesel emission standards. Talk to your dealer about possible certification options (i.e. Tier 3/Stage 3A, Tier 4/Stage 3B, Tier 4F/Stage 4).

**Output Potential**

Up to 700 tph (772 US tph)\*

**Side Conveyor (Finesize)**

Width: 900mm (35")  
Discharge height: 3.93m (12'11")  
Variable speed control  
Angle adjustable

**Screenbox**

2 Deck screenbox  
Size: 4.88m x 1.55m (16' x 5')  
Spaleck 3D top deck with tumbling fingers  
Spaleck flip flow bottom deck

**Feeder Conveyor**

Width: 1300mm (51")  
Heavy duty belt feeder  
Super grip drive drum  
Variable speed control  
Easy clean system under feeder

**Hopper**

Capacity: 7m<sup>3</sup> (9.2yds<sup>3</sup>)  
Rigid one piece hopper  
Wear resistant steel  
Wing plates

**Side Conveyor (Midsize)**

Width: 900mm (35")  
Discharge height: 3.67m (12')  
Variable speed control  
Angle adjustable



**Screen Media**

- Top deck:
- Steel 3D punch plate
  - Rubber 3D punch plate
  - Rubber punch plate
  - Steel punch plate
- Bottom deck:
- Dynamic flip flow

**Tail Conveyor (Oversize)**

Width: 1400mm (55")  
Discharge height: 4.2m (13'9") (3 Way Split)  
Discharge height: 3.5m (11'7") (2 Way Split)  
Heavy duty impact bars  
Variable speed control  
Angle adjustable 0° - 24°

**Tracks**

Width: 500mm (19.7")

**Power Unit**

Tier 3/Stage 3A: CAT C4.4 ATAAC 90kW (121hp)  
Tier 4F/Stage 4: CAT C4.4 93kW (125hp)  
Fuel tank capacity: 336 L (88 US Gal)



# WARRIOR 2400

Specially designed for large scale operations in the quarrying and mining sectors, the Powerscreen® Warrior 2400 is capable of handling larger feed sizes and throughputs. It features a heavy duty incline screen with a high amplitude triple shaft drive mechanism, lending it to screening, scalping, 2 or 3 way splitting and stockpiling materials like aggregates, topsoil, coal, construction, demolition waste and iron ore.

User benefits include a slide out tail conveyor facility to aid media access and a load sensing collection conveyor circuit to avoid blockages.

**Features & Benefits**

- Heavy duty, incline belt feeder with hydraulic folding hopper sides
- Jack up screen facility to aid mesh changes
- Screen walkway and access steps
- Hydraulic folding conveyors with excellent stockpiling capacity
- Hydraulic load sensing on under screen conveyor circuit & fines circuit
- Jack up legs for screen levelling
- Screen media interchangeable with H range products
- Heavy duty triple shaft screenbox with adjustable frequency, timing and amplitude
- Elliptical Throw adjustable up to 15mm

**Options**

- Radio controlled tracking
- Dual Power (additional electric hydraulic drive)
- Auto lubrication system
- Dust suppression
- Wide range of screen media
- Screen chain blanket
- 2 or 3 way split configurations
- Hopper extensions
- High capacity incline apron feeder
- Roll-in bogie (tri-axle)
- High capacity incline apron feeder



WARRIOR 2400	2 WAY SPLIT	3 WAY SPLIT
Weight (Est)	43,000kg (94,779lbs)	46,200kg (101,853lbs)
Transport width	3m (9'10")	3m (9'10")
Transport length	17.2m (56'5")	17.3m (56'10")
Transport height	3.6m (11'10")	3.6m (11'10")
Working width	9.6m (31'5")	15.3m (50'4")
Working length	18.3m (60'2")	18.5m (60'8")
Working height	4.9m (16')	5.2m (17'1")

\*Output potential depends on application  
Engines are available that are certified to US EPA and EU off road diesel emission standards. Talk to your dealer about possible certification options (i.e. Tier 3/Stage 3A, Tier 4/Stage 3B, Tier 4F/Stage 4).

**Output Potential**

Up to 800 tph (882 US tph)\*

**Power Unit**

Tier 3/Stage 3A:  
CAT C7.1 LRC 151kW (202hp)  
Tier 4F/Stage 4:  
CAT CAT C7.1 151Kw (202hp)  
Fuel tank capacity: 597 L (158 US Gal)

**Feeder Conveyor**

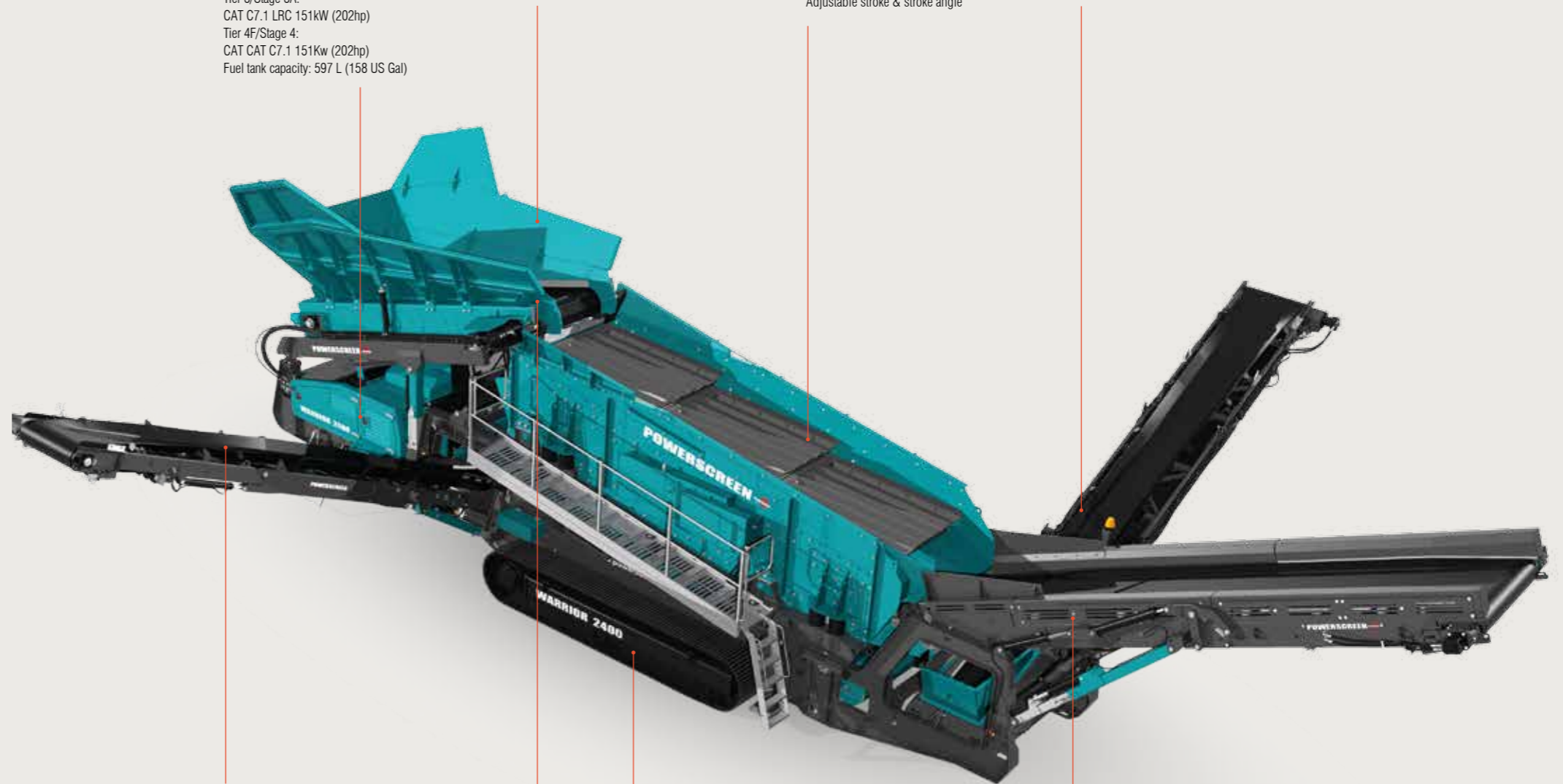
Width: 1300mm (51")  
Heavy duty impact bars & impact rollers  
Twin drive, variable speed  
Optional drive speeds available

**Screenbox**

2 Deck screenbox  
Size: 6.1m x 1.93m (20' x 6.3')  
Triple shaft technology gives extra high amplitude & high energy  
Adjustable stroke & stroke angle

**Side Conveyor (Midsize)**

Width: 900mm (35")  
Discharge height: 4.25m (13'11")  
Variable speed, hydraulic folding  
Removable for 2 way split



**Side Conveyor (Finesize)**

Width: 900mm (35")  
Discharge height: 4.25m (13'11")  
Variable speed, hydraulic folding

**Tracks**

Width: 500mm (19.7")  
2 Speed tracking

**Screen Media**

- Mesh
- Punch plate
- Bofor
- Finger
- Ball deck
- Flex mat
- Speed harp

**Hopper**

Capacity: 10m³ (13 yds³.)  
Collapsible rear wall for direct feeding  
Hydraulic folding wear resistant wing plates

**Tail Conveyor (Oversize)**

Width: 1600mm (63")  
Discharge height: 4.95m (16') (3 Way Split)  
Discharge height: 4.56m (15') (2 Way Split)  
Variable speed,  
Angle adjustable



# PATENTS

Powerscreen machines are designed by a world class engineering team. Our designs are created with user experience and safety in mind, building on Powerscreen's 50 years of excellence. In recognition of our innovations, we have patents granted and pending in regions all over the world.

## CHIEFTAIN SCREENS

MACHINE	PATENT NUMBER	STATUS
Chieftain 400	GB 2361684	Patent granted
	WO 0044652	Patent granted
	US 6662939	Patent granted
Chieftain 600	GB 2361684	Patent granted
	WO 0044652	Patent granted
	US 6662939	Patent granted
Chieftain 1400	GB 2351719	Patent granted
Chieftain 1700	US 8573387	Patent granted
Chieftain 2100X (3 Deck)	EU 2137090	Patent granted
Chieftain 2200	CA 2680081	Patent granted
	GB 2351719	Patent granted
Chieftain 2200	US 9296017	Patent granted
Chieftain 2200	EP 1515454.9	Patent pending

## WARRIOR SCREENS

MACHINE	PATENT NUMBER	STATUS
Warrior 800	2468966-A	Patent granted
Warrior 800	GB 2351719	Patent granted
Warrior 2100	US 6347708 B1	Patent granted
Warrior 2400	US 6347708 B1	Patent granted

## H-RANGE SCREENS

MACHINE	PATENT NUMBER	STATUS
H6203	US 6347708 B1	Patent granted
H6203R	EP 14150500.8	Patent pending
H6203R	US 6347708 B1	Patent granted
H6203R	US 14151085	Patent pending

For more information visit  
[www.powerscreen.com](http://www.powerscreen.com)

# NOTES



POWERSCREEN

POWERSCREEN

CHIEFTAIN 2200

CHIEFTAIN 2200

POWERSCREEN

[www.powerscreen.com](http://www.powerscreen.com)

Email: [sales@powerscreen.com](mailto:sales@powerscreen.com)

## POWERSCREEN CONTACT DETAILS

### Dungannon

200 Coalisland Road, Dungannon,  
Co Tyrone, BT71 4DR, Northern Ireland  
Tel: +44 (0) 28 87 718 500  
Fax: +44 (0) 28 87 747 231

### Louisville

11001 Electron Drive,  
Louisville, Kentucky, 40299 USA  
Tel: +1 502 736 5200  
Fax: +1 502 736 5202

## SOCIAL NETWORKING

Become a Powerscreen fan on Facebook by visiting:  
[www.facebook.com/powerscreenofficial](http://www.facebook.com/powerscreenofficial)

Follow Powerscreen on Twitter by visiting:  
[www.twitter.com/powerscreen](http://www.twitter.com/powerscreen)

Follow Powerscreen on LinkedIn:  
[www.linkedin.com/company/powerscreen](http://www.linkedin.com/company/powerscreen)

Check out Powerscreen videos on YouTube:  
[www.youtube.com/powerscreen](http://www.youtube.com/powerscreen)

DEALER

The material in this document is for information only and is subject to change without notice.

Powerscreen assumes no liability resulting from errors or omissions in this document, or from the use of the information contained herein. Due to continual product development we reserve the right to change specifications without notice. Product performance figures given in this brochure are for guidance purposes only, this information does not constitute an expressed or implied warranty or guarantee, but shows test examples provided by Dealers. These results will vary depending on crusher chamber settings, screen media and sizes, feed source and types of material being processed.

Photographs are for illustrative purposes only, some or all of the machines in the illustrations may be fitted with optional extras. Please check with your Dealer for details on optional extras.

Powerscreen® is a registered trademark of Terex GB Limited in the United States of America and many other countries. Copyright 2017 Terex GB Limited. Published and Printed in February 2017.

All machines are CE Approved.

